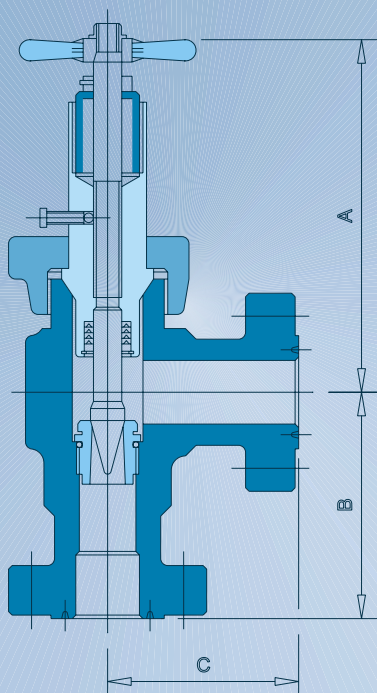


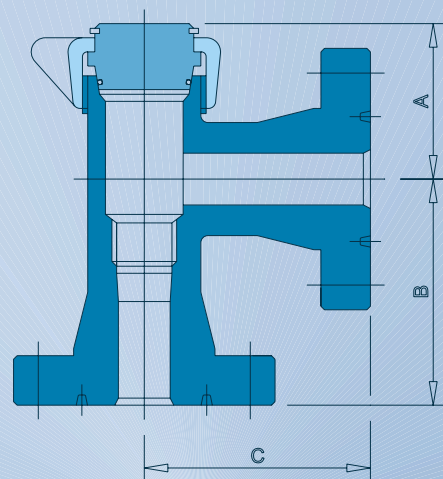
ADJUSTABLE CHOKE



Connections In PSI	W. P. (PSI)	Dimension		
		A	B	C
1" ORIFICE				
2"- 2000	2000	10"	5.13/16"	5.13/16"
2.1/2"- 2000	2000	10.3/8"	6.9/16"	7.9/16"
3"- 2000	2000	11"	7.1/16"	7.1/16"
2.1/2"- 5000	3000	10.3/8"	8.5/6"	8.5/16"
3"- 3000	3000	11"	7.9/16"	7.9/16"
2"- 5000	5000	10"	7.5/16"	7.5/16"
2.1/2"- 5000	5000	10.3/8"	8.5/16"	8.5/16"
3"- 5000	5000	11"	9.5/16"	9.5/16"
1.13/16"	10000	11.7/8"	7.1/2"	7.1/2"
2.1/16"	10000	11.7/8"	7.1/2"	7.1/2"
2.9/16"	10000	11.7/8"		
3/4" ORIFICE				
2"- 2000	2000	10	5.13/16	5.13/16
2"- 5000	3000/ 5000	10	7.5/16	7.5/16
1/2" ORIFICE				
2"- 2000	2000	10	5.13/16	5.13/16
2"- 5000	3000/ 5000	10	7.5/16	7.5/16
2" ORIFICE				
2"- 5000	5000			
3"- 3000	3000	11	7.9/16	7.9/16
3"- 5000	5000	11	9.5/16	9.5/16
2.9/16"- 10000	10000			
2.1/16"- 10000	10000			
3.1/16"- 10000	10000			

POSITIVE CHOKE

Side Connections In PSI	Run Connection in (PSI)	W. P. (PSI)	Dimensions		
			A	B	C
2"- 2000	2"- 2000	2000	4.11/16"	5.13/16"	5.13/16"
2.1/2"- 2000	2.1/2"- 2000	2000	5.1/2"	6.9/16"	6.9/16"
2.1/2"- 2000	2"- 2000	2000	5.1/2"	6.5/16"	5.15/16"
3"- 2000	3"- 2000	2000	6.1/4"	7.1/16"	7.1/16"
3"- 2000	2.1/2"- 2000	2000	6.1/4"	6.13/16"	6.9/16"
3"- 2000	2"- 2000	2000	6.1/4"	6.11/16"	6.1/16"
2.1/2"- 5000	2.1/2"- 5000	3000	5.1/2"	8.5/16"	8.5/16"
2.1/2"- 5000	2"- 5000	3000	5.1/2"	7.7/8"	7.7/16"
3"- 3000	3"- 3000	3000	6.1/4"	7.9/16"	7.9/16"
3"- 3000	2.1/2"-5000	3000	6.1/4"	7.15/16"	7.7/8"
3"- 3000	2"- 5000	3000	6.1/4"	7.13/16"	7.5/16"
2"- 5000	2"- 5000	5000	4.11/16"	7.5/16"	7.5/16"
2.1/2"- 5000	2.1/2"- 5000	5000	5.1/2"	8.5/16"	8.5/16"
2.1/2"- 5000	2"- 5000	5000	5.1/2"	7.7/8"	7.7/16"
3"- 5000	3"- 5000	5000	6.1/4"	9.5/16"	9.5/16"
3"- 5000	2.1/2"- 5000	5000	6.1/4"	8.7/16"	8.1/4"
3"- 5000	2"- 5000	5000	6.1/4"	8.5/16"	7.11/16"
1.13/16"- 10000	1.13/16"- 10000	10000	8.1/2"	7.1/2"	7.1/2"
2.1/16"- 10000	2.1/16"- 10000	10000	8.1/2"	7.1/2"	7.1/2"
2.9/16"- 10000	2.9/16"- 10000	10000	8.1/2"		
2.1/16"- 10000	2.1/16"- 10000	10000			
2.9/16"- 10000	2.9/16"- 10000	10000			
3"- 5000	3"- 5000	5000			
4"- 5000	4"- 5000	5000			



Shreeraj Industries

Office & Works:

Block No. 707/ A-2, Nandoli Patia Road,
RANCHARDA - 382 115, District - Gandhinagar, Gujarat, INDIA.

Phone : +91(79) 2754 2813, 2754 3680

E-mail : info@shreerajindia.com