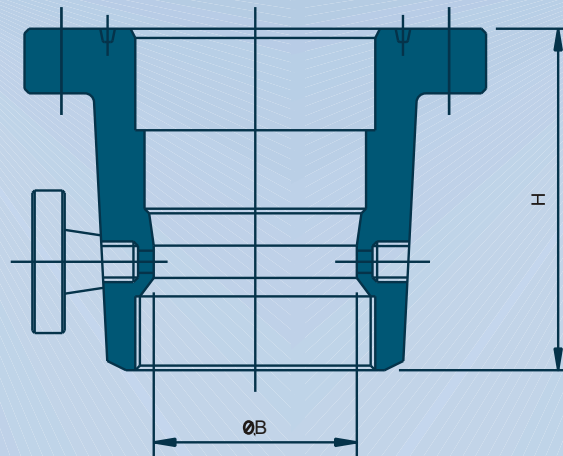


CASING HEADS- FLANGED TOP

Casing Flanges are furnished as standard with two outlets and have full opening through bores meeting dimensional requirement of API 6A covering wellhead equipment. Optional feature include various casing thread forms, counter bored for weld on, open faced flange or line pipe outlets, anchor screws, high temprature 'O' ring weld seals on special requirement. Test Plugs and Bore Protectors with installation and retrieving tools are also available.



SIZE		2000 W.P.		3000 W.P.		5000 W.P.	
FLANGE	CASING	H	B	H	B	H	B
9	8.5/8	17.1/2	8	18.3/4	8	-	-
9	7.5/8	17.1/2	7.3/16	18.3/4	7.3/16	-	-
9	7	17.1/2	6.19/32	18.3/4	6.19/32	-	-
11	10.3/4	18.3/4	9.15/16	18.3/4	9.15/16	18.3/4	19.15/16
11	9.5/8	18.3/4	9.3/16	18.3/4	9.3/16	18.3/4	19.3/16
11	8.5/8	18.3/4	8.3/16	18.3/4	8.3/16	18.3/4	8.3/16
13.5/8	13.3/8	17.1/2	12.7/16	17.1/2	12.7/16	18.3/4	12.15/16
13.5/8	11.3/4	17.1/2	11.3/8	17.1/2	11.3/8	19	15.1/8
13.5/8	10.3/4	17.1/2	9.15/16	17.1/2	9.15/16	-	-
16.3/4	16	19	15.1/8	19	15.1/8	-	-
20	18.5/8	18.1/2	18	18.1/2	18	-	-
20*	20	18.1/2	19	18.1/2	19	-	-

All Dimensions are in inches
OUTLET- 2" L.P.

* Read as 21.1/4 for 2000, 5000
20.3/4 for 3000



Shreeraj Industries

Office & Works:

Block No. 707/ A-2, Nandoli Patia Road,
RANCHARDA - 382 115, District - Gandhinagar, Gujarat, INDIA.

Phone : +91(79) 2754 2813, 2754 3680

E-mail : info@shreerajindia.com