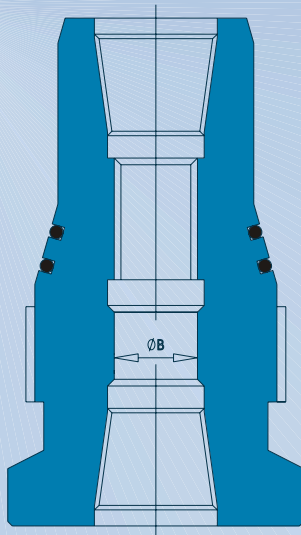


# MANDRELS

The mandrel is used with the bonnet. The two units are assembled using a matching heavy ACME thread. The mandrel is provided with back-pressure valve threads so that complete pressure control is obtained during tubing installation and well completion. The wrap-around hanger is used to control the pressure in the annulus. Mandrels made from special material are available for corrosive applications.

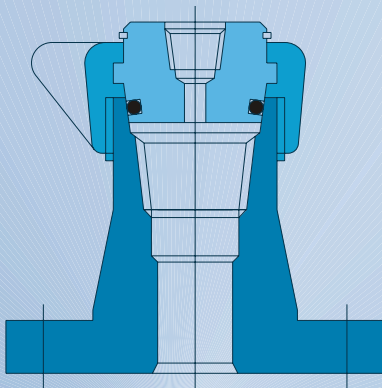


Tubing O.D. (In.)	Bore B (In.)
1.900	1.671
2.3/8	1.931
2.7/8	2.377
3.1/2	2.897
4.1/2	3.863

## AVAILABLE THREAD OPTIONS:

- a. 4.3/8" O.D. ACME
- b. 5.1/4" ACME
- c. 6.1/2" ACME

# ADAPTER FLANGE



Bottom Connection	Up Lift Thread	W. P. (PSI)	Minimum Bore
2"- 2000 PSI	2.3/8"	2000	2.1/16"
2.1/2"- 2000 PSI	2.7/8"	2000	2.9/16"
3"- 2000 PSI	3.1/2"	2000	3.1/16"
3"- 3000 PSI	3.1/2"	3000	3.1/16"
4"- 3000 PSI	4.1/2"	3000	4.1/16"
2"- 5000 PSI	2.3/8"	5000	2.1/16"
2.1/2"- 5000 PSI	2.7/8"	5000	2.9/16"
3"- 5000 PSI	3.1/2"	5000	3.1/16"
4"- 5000 PSI	4.1/2"	5000	4.1/16"
1.13/16"- 10000 PSI	1.1/2"	10000	1.13/16"
2.1/16"- 10000 PSI	2.3/8"	10000	2.1/16"
2.9/16"- 10000 PSI	2.7/8"	10000	2.9/16"
3.1/16"- 10000 PSI	3.1/2"	10000	3.1/16"
4.1/16"- 10000 PSI	4.1/2"	10000	4.1/16"

The adapter has a female upset tubing lift thread. As with all fittings, the safety bleeder system is a standard feature of the flow adapter.



## Shreeraj Industries

Office & Works:

Block No. 707/ A-2, Nandoli Patia Road,  
RANCHARDA - 382 115, District - Gandhinagar, Gujarat, INDIA.

Phone : +91(79) 2754 2813, 2754 3680

E-mail : info@shreerajindia.com