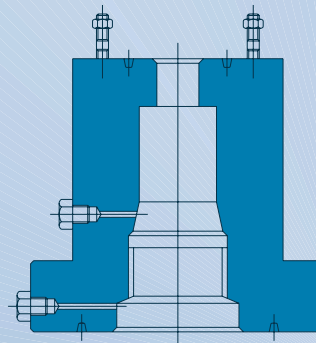
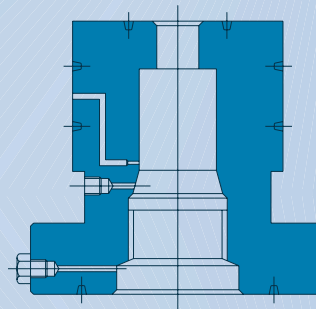
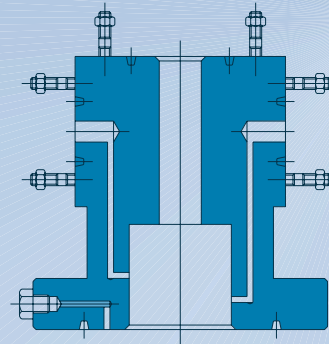


# TUBING ADOPTERS

The Bonnet is a single string adapter used primarily with all tubing hangers. This bonnet is made with a flanged or studded bottom and a studded top. The internal bore of the bonnet accepts the extended neck hanger and separates the tubing pressures from the lower flange. The bonnet provides an inlet to communicate subsurface safety valve fluid with a hanger. The bonnet is furnished with one or more inlets and several options are available on the inlets including flanged, studded or 1/2" NPT threads.

## REGULAR

Sizes*
7.1/16" X 3.1/8"- 3000 PSI
7.1/16" X 2.1/16"- 5000 PSI
7.1/16" X 2.9/16"- 5000 PSI
7.1/16" X 3.1/8"- 5000 PSI
7.1/16" X 4.1/16"- 5000 PSI
7.1/16" X 2.1/16"- 10000 PSI
7.1/16" X 2.9/16"- 10000 PSI
7.1/16" X 3.1/16"- 10000 PSI
7.1/16" X 4.1/16"- 10000 PSI
9" X 4.1/16"- 3000 PSI
9" X 2.1/16"- 5000 PSI
9" X 2.9/16"- 5000 PSI
9" X 4.1/16"- 5000 PSI
9" X 2.1/16"- 10000 PSI
9" X 2.9/16"- 10000 PSI
9" X 3.1/16"- 10000 PSI
9" X 4.1/16"- 10000 PSI
11" X 2.9/16"- 5000 PSI
11" X 3.1/8"- 5000 PSI
11" X 3.1/16"- 10000 PSI
11" X 2.9/16"- 10000 PSI



## SUSPENSION THREAD OPTIONS:

- 6.1/2" ACME
- 5.1/4" ACME
- 4.3/8" ACME

**Note:** ACME thread size should be the same for matching bonnet to mandrel.

The bonnet is used with the mandrel. The two units are assembled using a matching heavy acme thread. Two test ports are provided to allow checks on bonnet- to- mandrel seal and API ring gasket seal between the bonnet and the tubing spools.



## Shreeraj Industries

Office & Works:

Block No. 707/ A-2, Nandoli Patia Road,  
RANCHARDA - 382 115, District - Gandhinagar, Gujarat, INDIA.

Phone : +91(79) 2754 2813, 2754 3680

E-mail : info@shreerajindia.com