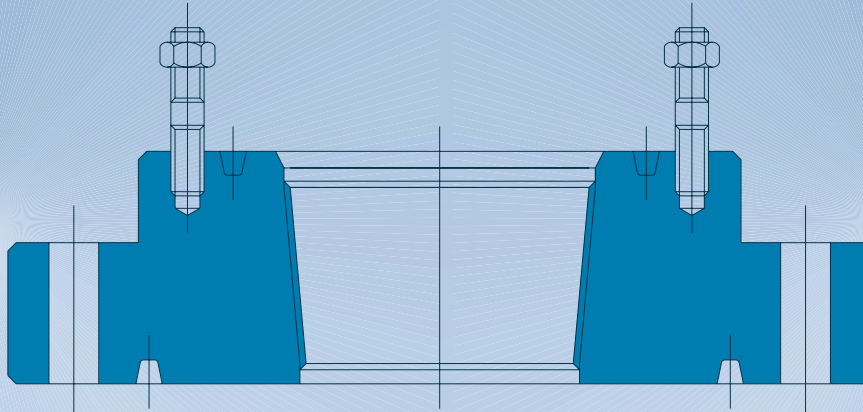


TUBING ADOPTERS



END CONNECTIONS		
Bottom Flange	Top Flange	Suspension Thread.*
7.1/16"- 2000 PSI	2.1/16"- 2000 PSI	2.3/8"
	2.9/16"- 2000 PSI	2.7/8"
	3.1/8"- 2000 PSI	3.1/2"
7.1/16"- 3000 PSI	2.1/16"- 5000 PSI	2.3/8"
	2.9/16"- 5000 PSI	2.7/8"
	3.1/8"- 3000 PSI	3.1/2"
7.1/16"- 5000 PSI	2.1/16"- 5000 PSI	2.3/8"
	2.9/16"- 5000 PSI	2.7/8"
	3.1/8"- 5000 PSI	3.1/2"
7.1/16"- 10000 PSI	2.1/16"- 10000 PSI	2.3/8"
	2.9/16"- 10000 PSI	2.7/8"
9"- 2000 PSI	2.1/16"- 2000 PSI	2.3/8"
	2.9/16"- 2000 PSI	2.7/8"
	3.1/8"- 2000 PSI	3.1/2"
9"- 3000 PSI	2.1/16"- 5000 PSI	2.3/8"
	2.9/16"- 5000 PSI	2.7/8"
	3.1/8"- 3000 PSI	3.1/2"
9"- 5000 PSI	2.1/16"- 5000 PSI	2.3/8"
	2.9/16"- 5000 PSI	2.7/8"
	3.1/8"- 5000 PSI	3.1/2"

* API Female Upset tubing. Bonnets with other thread types and sizes are available.



Shreeraj Industries

Office & Works:

Block No. 707/ A-2, Nandoli Patia Road,
RANCHARDA - 382 115, District - Gandhinagar, Gujarat, INDIA.

Phone : +91(79) 2754 2813, 2754 3680

E-mail : info@shreerajindia.com