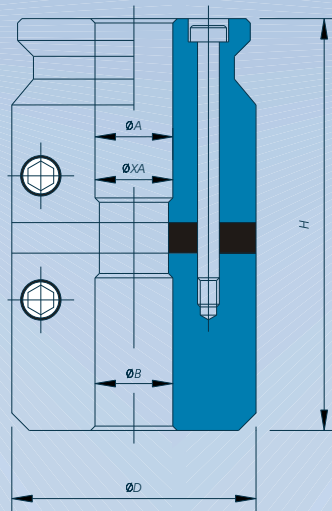


TUBING HANGERS - LATCH AROUND

The tubing hanger is a stuffing box type hanger designed to be "latched around" the tubing to permit fast and easy installation at any stage of running tubing or completing the well. Like all other SHREERAJ INDUSTRIES hangers, it can be run through preventers. For resistance to high temperature and corrosive fluids viton seals are provided.



HANGER DESCRIPTION	HANGER D O.D.	BORE B	HEIGHT H	A	XA*
7.1/16" Nom X 1.1/2" Tubing	7.005	1.968	9.563	2.156	2.500
7.1/16" Nom X 2.1/16" Tubing	7.005	2.125	9.563		2.500
7.1/16" Nom X 2.3/8" Tubing	7.005	2.438	9.563	2.656	3.188
7.1/16" Nom X 2.7/8" Tubing	7.005	2.938	9.563	3.156	3.813
7.1/16" Nom X 3.1/2" Tubing	7.005	3.563	9.563	3.813	4.562
7.1/16"- 10000 PSI X 1.1/2" Tubing	7.005	1.968	12.563	2.156	2.500
7.1/16" - 10000 PSI X 2.1/16" Tubing	7.005	2.125	12.563		2.500
7.1/16" - 10000 PSI X 2.3/8" Tubing	7.005	2.438	12.563	2.656	3.188
7.1/16" - 10000 PSI X 2.7/8" Tubing	7.005	2.938	12.563	3.156	3.813
7.1/16" - 10000 PSI X 3.1/2" Tubing	7.005	3.563	12.563	3.813	3.562
8" Nom./ 9"- 10000 PSI X 1.1/2" Tubing	8.928	1.968	11.563	2.156	2.500
8" Nom./ 9"- 10000 PSI X 2.1/16" Tubing	8.928	2.125	11.563		2.500
8" Nom./ 9"- 10000 PSI X 2.3/8" Tubing	8.928	2.438	11.563	2.656	1.388
8" Nom./ 9"- 10000 PSI X 2.7/8" Tubing	8.928	2.938	11.563	3.156	3.813
8" Nom./ 9"- 10000 PSI X 3.1/2" Tubing	8.928	3.563	11.563	3.813	4.562
10" Nom./ 11"- 10000 PSI X 1.1/2 Tubing	10.913	1.968	13.125	2.156	2.500
10" Nom./ 11" - 10000 PSI X 2.1/16 Tubing	10.913	2.125	13.125		2.500
10" Nom./ 11"- 10000 PSI X 2.3/8 Tubing	10.913	2.438	13.125	2.656	3.188
10" Nom./ 11"- 10000 PSI X 2.7/8 Tubing	10.913	2.938	13.125	3.156	3.813
10" Nom./ 11"- 10000 PSI X 3.1/2 Tubing	10.913	3.563	13.125	3.813	4.562

All Dimensions are in inches

* For tubing other than non-upset or API upset.

Shreeraj Industries

Office & Works:

Block No. 707/ A-2, Nandoli Patia Road,
RANCHARDA - 382 115, District - Gandhinagar, Gujarat, INDIA.

Phone : +91(79) 2754 2813, 2754 3680

E-mail : info@shreerajindia.com

