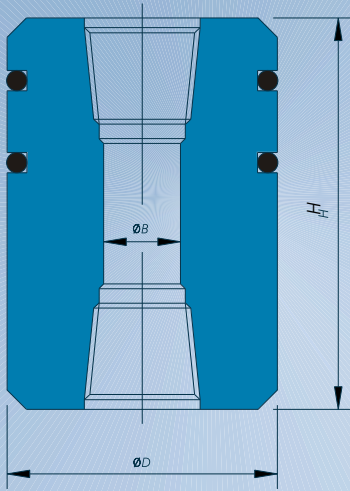
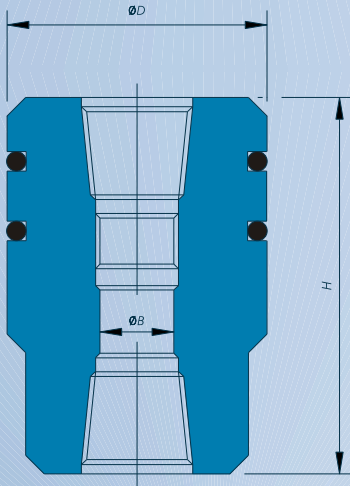


# TUBING HANGERS SINGLE STRING



HANGER DESCRIPTION	Hanger D O.D.	Height H	Bore B	'O' Ring 2 Nos.
7.1/16" Nom X 1.1/2" Tubing	7.005	8.1/4	1.7/8	439
7.1/16" Nom X 2.3/8" Tubing	7.005	8.1/4	2.5/16	439
7.1/16" Nom X 2.7/8" Tubing	7.005	8.1/4	2.13/16	439
7.1/16" Nom X 3.1/2" Tubing	7.005	8.1/4	3.7/16	439
7.1/16" Nom X 4.1/2" Tubing	7.005	8.1/4		439
9" Nom/ 9" 10000 PSI X 1.1/2" Tubing	8.928	9.15/16	1.7/8	446
9" Nom/ 9" 10000 PSI X 2.3/8" Tubing	8.928	9.15/16	2.5/16	446
9" Nom/ 9" 10000 PSI X 2.7/8" Tubing	8.928	9.15/16	2.13/16	446
9" Nom/ 9" 10000 PSI X 3.1/2" Tubing	8.928	9.15/16	3.7/16	446

## TUBING HANGERS WITH PROVISION FOR BACK PRESSURE VALVE



HANGER DESCRIPTION	Hanger D O.D.	Height H	Bore B	'O' Ring 2 Nos.
7.1/16" Nom X 1.1/2" Tubing	7.005	8.1/4	1.7/8	439
7.1/16" Nom X 1.1/2" Tubing	7.005	11.1/4	1.671	439
7.1/16" Nom X 2.3/8" Tubing	7.005	11.1/4	1.931	439
7.1/16" Nom X 2.3/8" Tubing	7.005	11.1/4	2.377	439
7.1/16" Nom X 3.1/2" Tubing	7.005	11.1/4	2.897	439
7.1/16" Nom X 4.1/2" Tubing	7.005	11.1/4	3.863	439
7.1/16" 10000 PSI X 1.1/2" Tubing	7.005	11.1/4	1.671	439
7.1/16" 10000 PSI X 2.3/8" Tubing	7.005	11.1/4	1.931	439
7.1/16" 10000 PSI X 2.7/8" Tubing	7.005	11.1/4	2.377	439
7.1/16" 10000 PSI X 3.1/2" Tubing	7.005	11.1/4	2.897	439
8" Nom/ 9" 10000 PSI X 1.1/2" Tubing	8.928	9.15/16	1.611	446
8" Nom/ 9" 10000 PSI X 2.3/8" Tubing	8.928	9.15/16	1.931	446
8" Nom/ 9" 10000 PSI X 2.7/8" Tubing	8.928	9.15/16	2.377	446
8" Nom/ 9" 10000 PSI X 3.1/2" Tubing	8.928	9.15/16	2.897	446
10" Nom/ 11" 10000 PSI X 1.1/2" Tubing	10.913	11.3/16	1.671	449
10" Nom/ 11" 10000 PSI X 2.3/8" Tubing	10.913	11.3/16	1.931	449
10" Nom/ 11" 10000 PSI X 2.7/8" Tubing	10.913	11.3/16	2.377	449
10" Nom/ 11" 10000 PSI X 3.1/2" Tubing	10.913	11.3/16	2.897	449
10" Nom/ 11" 10000 PSI X 4.1/2" Tubing	10.913	11.3/16	3.863	449

### Available lift and Suspension Thread Forms for Tubing Hangers:

Line Pipe  
Hydril  
VAM

API Non- Upset  
API Upset  
National Buttress



## Shreeraj Industries

Office & Works:

Block No. 707/ A-2, Nandoli Patia Road,  
RANCHARDA - 382 115, District - Gandhinagar, Gujarat, INDIA.

Phone : +91(79) 2754 2813, 2754 3680

E-mail : info@shreerajindia.com